

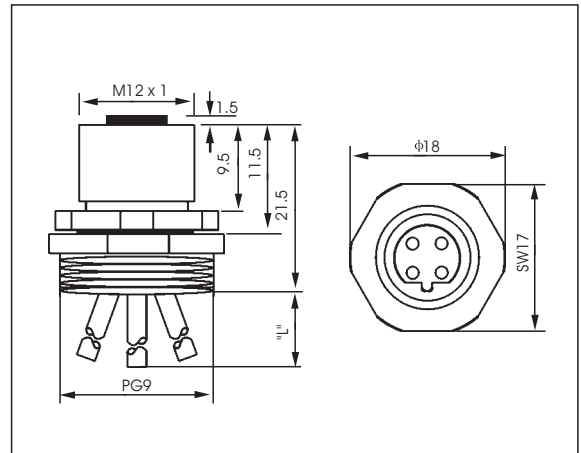
EURO-STYLE QUICK DISCONNECT CABLES

View



- Female B-type receptacle
- Front mounting, wire ends, thread chassis side PG9
- Back mounting with nut RMF9(see page C-34)
- Solder contacts potted with epoxy

Dimensional data



Technical Data

Application Class: HNA acc. to DIN 40040

(-25 °C / +90 °C / ≤ 100%rF)

Moulded Body: TPU, self-extinguishing

Nominal Power: 4A

Nominal Voltage: 250VAC/300VDC

Contact: CuZn, pre-nickel and 0.8 microns gold-plated

Body: TPU, self-extinguishing

Receptacle Housing: CuZn, brass, nickel

O-Ring: Viton

Protection: IP 67

Insulation Group: C acc. to VDE 0110

Test Voltage: 2.0 KV eff./60s.

Insulation Resistance: > 10⁹ Ω

Contact Resistance: ≤ 5 m Ω

CSA certified: 219967

Catalog Number

Part-No	Poles	Face View female	Color Code	Conductors		Conductor insulation φ mm(single)
				Guage	Stranding	
B-FS4/3FZ/0.5/PG9/B	4		1=brow 2=blue 3=- 4=green/yellow	0.34mm ²	42x φ 0.10	1.6
				0.50mm ²	16x φ 0.20	1.8
B-FS4/3FZ/0.5/PG9	4		1=black 2=blue 3=- 4=yellow/green (GND)	0.34mm ²	42x φ 0.10	1.6
				0.50mm ²	16x φ 0.20	1.8
B-FS4FZ/0.5/PG9	4		1=brow 2=blue 3=black 4=green/yellow	0.34mm ²	42x φ 0.10	1.6
				0.50mm ²	16x φ 0.20	1.8
B-FS5FZ/0.5/PG9	5		1=brown 2=white 3=blue 4=black 5=green/yellow (GND)	0.34mm ²	42x φ 0.10	1.6
				0.50mm ²	16x φ 0.20	1.8

Standard length: 0.5m. Other cable length or cable specifications on request.

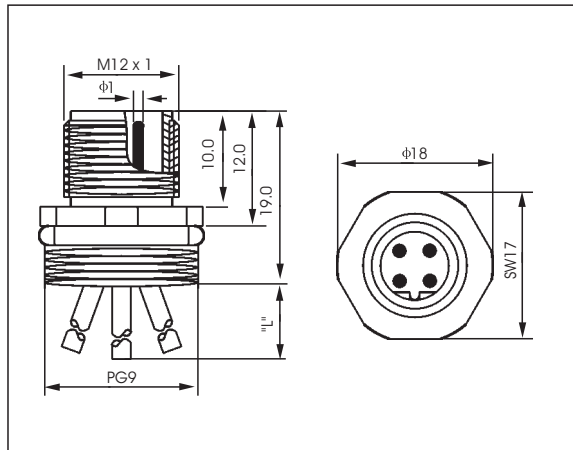
EURO-STYLE QUICK DISCONNECT CABLES

View



- Male B-type receptacle
- Front mounting, wire ends, thread chassis side PG9
- Back mounting with nut RMF9(see page C-34)
- Solder contacts potted with epoxy

Dimensional data



Technical Data

Application Class: HNA acc. to DIN 40040 (-25 °C / +90 °C / ≤ 100%rF)	Receptacle Housing: CuZn, brass, nickeled
Moulded Body: TPU, self-extinguishing	O-Ring: Viton
Nominal Power: 4A	Protection: IP 67
Nominal Voltage: 250VAC/300VDC	Insulation Group: C acc.to VDE 0110
Contact: CuZn, pre-nickel and 0.8 microns gold-plated	Test Voltage: 2.0 KV eff./60s.
Body: TPU, self-extinguishing	Insulation Resistance: > 10 ⁹ Ω
	CSA certified: 219967

Catalog Number

Part-No	Poles	Face View male	Color Code	Conductors		Conductor insulation φ mm(single)
				Guage	Stranding	
B-MS4/3FZ/0.5/PG9	4		1=black 2=blue 3=- 4=yellow/green (GND)	0.34mm ²	42x φ 0.10	1.6
				0.50mm ²	16x φ 0.20	1.8
B-MS4FZ/0.5/PG9	4		1=brown 2=blue 3=black 4=green/yellow	0.34mm ²	42x φ 0.10	1.6
				0.50mm ²	16x φ 0.20	1.8
B-MS5FZ/0.5/PG9	5		1=brown 2=white 3=blue 4=black 5=green/yellow (GND)	0.34mm ²	42x φ 0.10	1.6
				0.50mm ²	16x φ 0.20	1.8

Standard length: 0.5m. Other cable lengths or cable specification on request.